



LIBART

MOTION IN ARCHITECTURE

**Retractable Enclosure Case Study
Project#: 4833**

>> Carolina Ale House - Raleigh, NC





Located at the corner of Glenwood Avenue and Tucker Street in the heart of Raleigh, NC, this Carolina Ale House (CAH) is the flagship property among 25 locations owned by Lou Moshakos of LM Restaurants.

STATS

>> Does the open air design help CAH stand out among the competition?

- 3-Story, new construction with 4th floor observation deck
- 3rd floor open air patio is the 1st motorized, retractable window installation of its kind in North America and also features motorized, retractable skylights and shades
- Patio seats 200 of the restaurant's 420-person capacity
- Radiant heated floors
- Over 70 TVs, 99 Bottled beers, 96 draft beers

"When the weather allows us to retract the roof and open the windows, we own Glenwood Ave." - Manager, CAH Glenwood

"Love it! The menu is a bit different and still great. Even on "slow" nights they are still packing in the people. It has to hurt to be a nearby, competing bar or restaurant."

Google Review, Rob J.

Within 4 blocks of the CAH, 10 other restaurants include: Mellow Mushroom, Cornerstone Tavern, Solas, Sullivan's Steakhouse, Hibernian Pub, Sushi Blues Cafe, Tobacco Road Sports Cafe, 42nd Street Oyster Bar, Natty Greene's Pub, and Clouds Brewing.





PROJECT OVERVIEW



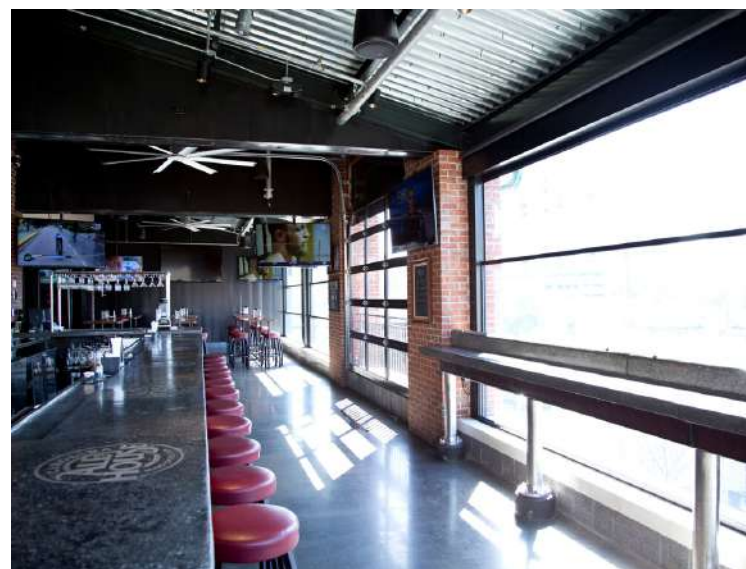
Throughout the southeastern US, LM Restaurants, Inc. has earned its celebrated reputation for great hospitality and engagement in the local community.

Its sports-themed Carolina Ale House restaurants are renowned gathering places for a family friendly atmosphere, delicious food, sporting events on large screens and an incredible selection of libations. As they made plans for a new location on Glenwood Avenue in Raleigh, NC, plans for a "patio" on the third level created a perfect place for a SolaGlide Skylight retractable roof and PANORA-VIEW WINDOWS



The roof opens three of its panels at the turn of a key to add a little sunlight or moonlight to the menu.

The first North American installation of Libart's Panora-View windows opens from the top for fresh breezes. As they open, a half-wall is created for great views and safety. Stoett solar shades were added and they can be used independently to reduce glare whenever needed. Carolina Ale House now has a popular gathering place for all five North Carolina seasons - Winter, Spring, Summer, Fall and Basketball!



WINNING COMBINATION FROM THE START

A gift to Junior Achievement in honor of Lou Moshakos, recognized his entrepreneurial vision for his restaurants and Lou's engagement with an inspiring program that builds entrepreneurship, financial literacy and work-readiness skills in K-12 students.

Shown left to right: Lou Moshakos, President, LM Restaurants; Darrell Kennedy, President of Five Star Retractable Systems; Chris Stover, President of Libart USA



>> Without a doubt, the client's expertise is a major factor in the success of this open-air solution.

Vision - Getting it Right

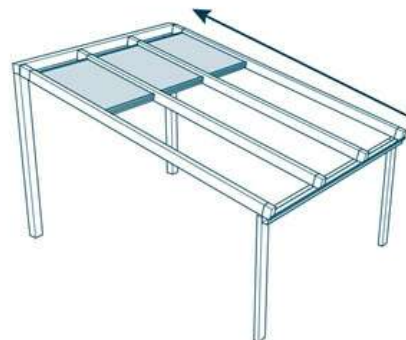
LM restaurants started as a single mom-and-pop location operated by owner Lou Moshakos and his wife in 1978. The company now has over 2500 employees. "The space reflects the culmination of years of lessons and experiences of an aggressive Raleigh-based family business that oversees 25 Carolina Ale Houses across six states, seven other dining concepts in the Triangle and coastal North Carolina under hospitality management group LM Restaurants."

- The News & Observer

Another factor that significantly changed the course of the project was Lou's patience and willingness to go back to the drawing board. The property was purchased in 2008 and was originally going to be a remodel. "Owner Lou Moshakos tinkered with plans to convert the two-story office building on the downtown lot he bought in 2008 into a restaurant building, but the plans didn't seem to do justice to the location. "We went back to the drawing board, ... and drew it the way we wanted to build it," he said during a personal tour and lunch at the new restaurant space on Thursday." - The Triangle Business Journal



Panora - View Windows



SolaGlide Retractable Skylight



Collaboration - Going the Extra Mile

When an owner like Lou, who is accustomed to sketching ideas on napkins and trying new things meets a well coordinated team like Libart, great things can happen. Here's how it worked:

Lou's wife, Joy had heard about the Libart retractable windows made in Turkey. Chris Stover of Libart USA made arrangements for Lou and Joy to meet Cem Comu, CEO of Libart International, at the Istanbul, Turkey headquarters where they learned more about the Panora-View products, viewed demonstrations and visited local installations. The technology and the team were in place to put together an extraordinary project. Lou began working with Libart USA's regional dealer,



Darrell Kennedy of Five Star Retractable Systems. Darrell and his team worked hand-in-hand with the architect, contractor and restaurant managers to finalize specifications for the SolaGlide skylights, Panora-View windows and Stoett Panorama solar shades.

The collaborative effort was topped off with a celebratory Trade Summit where Darrell, and Chris honored Lou with a gift to one of Lou's favorite charities, Junior Achievement of Eastern North Carolina.

"Everyone has a window seat"



"Evolution of Roofs"

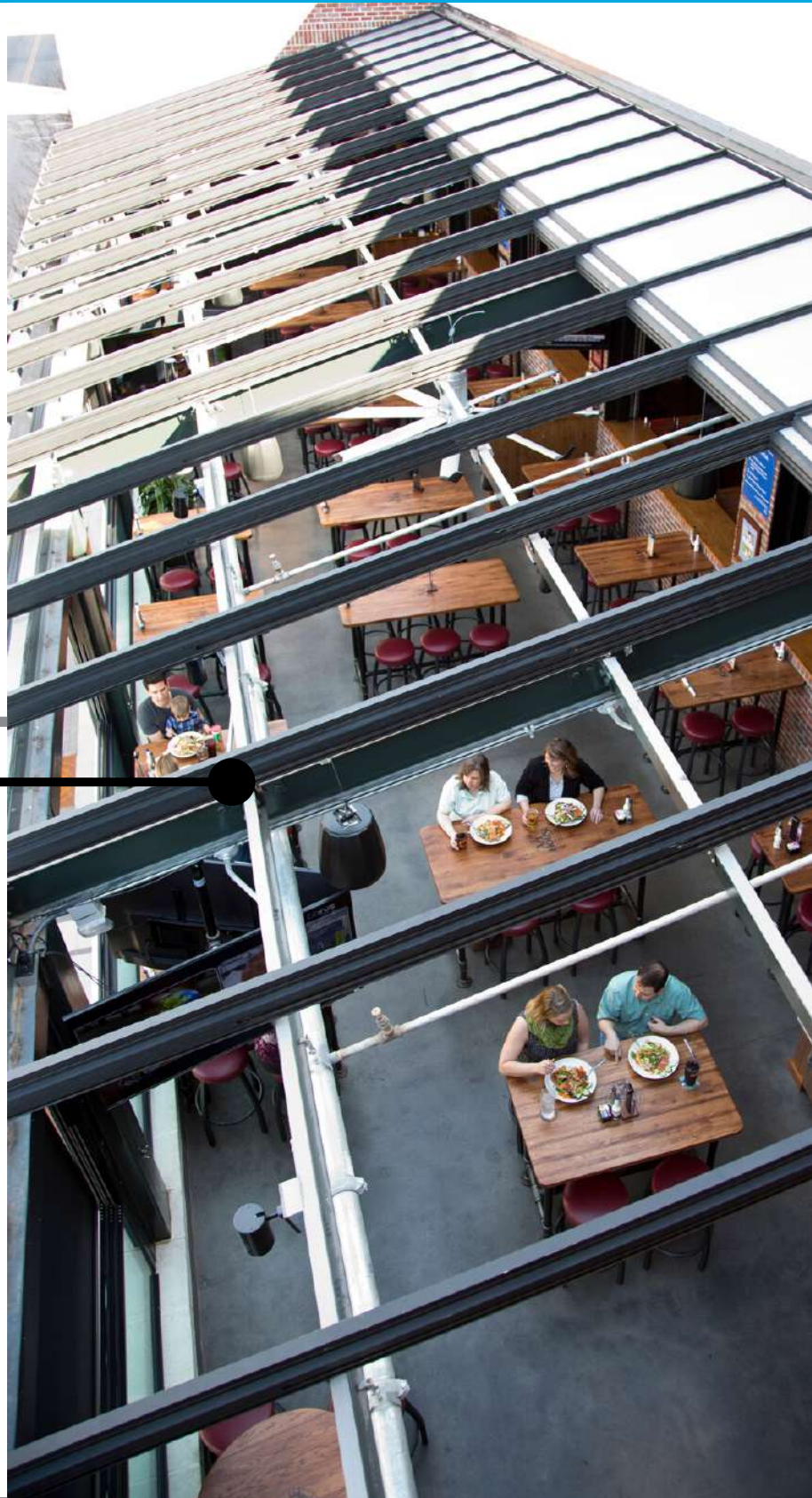
LIBART SOLUTIONS

>> **There are three adjustable, motorized, moving parts for 4-season application** Skylights, Windows and Shades

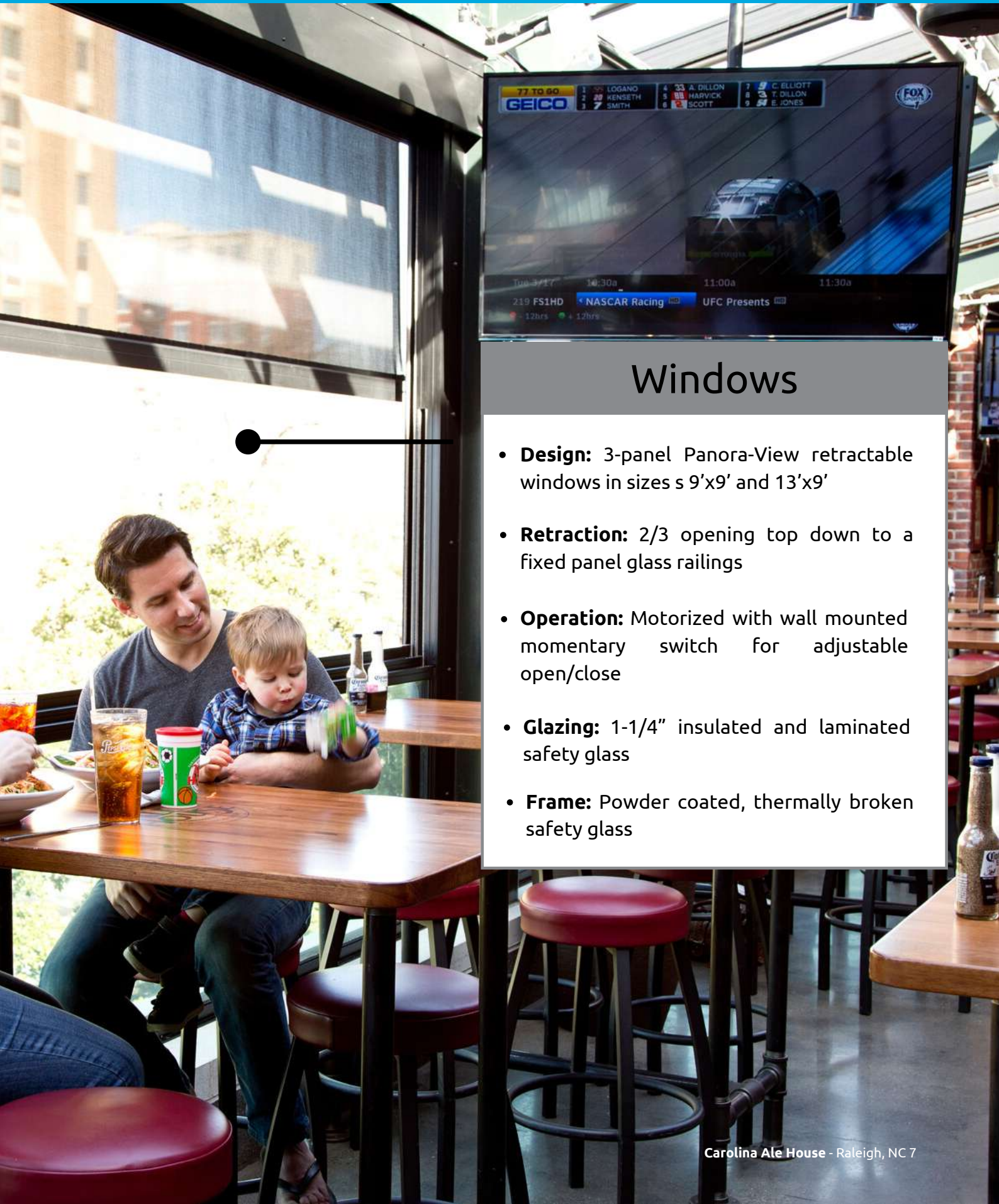
Each component can be adjusted to provide the perfect combination of fresh air, sunlight, sound control and protection from the elements. The innovative Panora-View window system was used instead of the originally specified garage doors. Whereas garage doors would require an additional railing for safety, the Panora-View windows retract down to form a glass wall. The downward retracting windows provide a full outside view when closed as well as the desired window opening.

Skylights

- **Design:** Single Pitch, 4-panel SolaGlide skylight retractable roof system
- **Retraction:** 75% opening up (3 panels retract under the 4th fixed panel under the ridge)
- **Operation:** Motorized with wall mounted momentary switch for adjustable open/close
- **Glazing:** Triple wall, 16 mm Solar Control Gray Polycarbonate
- **Frame:** Custom color powder coated aluminium per spec AMMA 2604



Open Air Design



Windows

- **Design:** 3-panel Panora-View retractable windows in sizes s 9'x9' and 13'x9'
- **Retraction:** 2/3 opening top down to a fixed panel glass railings
- **Operation:** Motorized with wall mounted momentary switch for adjustable open/close
- **Glazing:** 1-1/4" insulated and laminated safety glass
- **Frame:** Powder coated, thermally broken safety glass

ARCHITECT OR SPECIFIER?



LIBART

MOTION IN ARCHITECTURE

libartsales@libart.com

www.libart.com